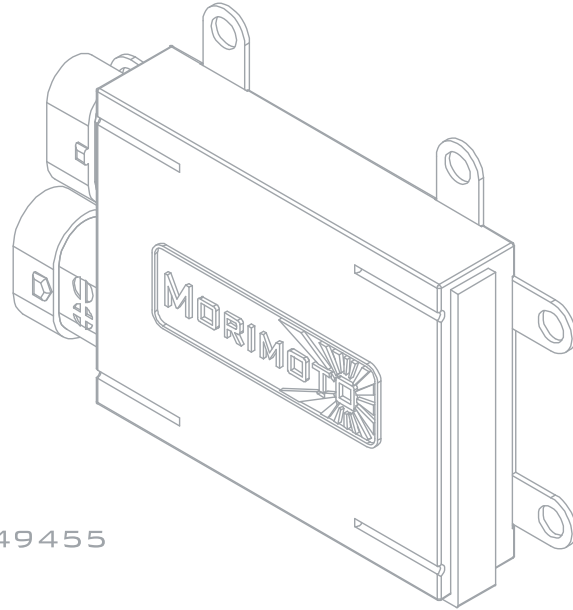




THE AUTOMOTIVE LIGHTING BENCHMARK

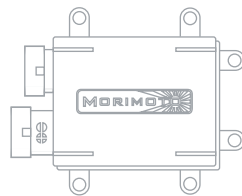


35W
PART #: 49455

50W
PART #: 49456

INSTALLATION GUIDE

BALLAST COMPUTER



1x



WARNING: By reading this document, I agree it is only to be used as an educational guide. Morimoto Lighting makes no guarantee on any finished results, nor are they to be held responsible for any damage, misuse, or personal injuries. Use at your own risk. If you are unable to clearly understand and adapt the information below to your own application, professional installation is recommended.

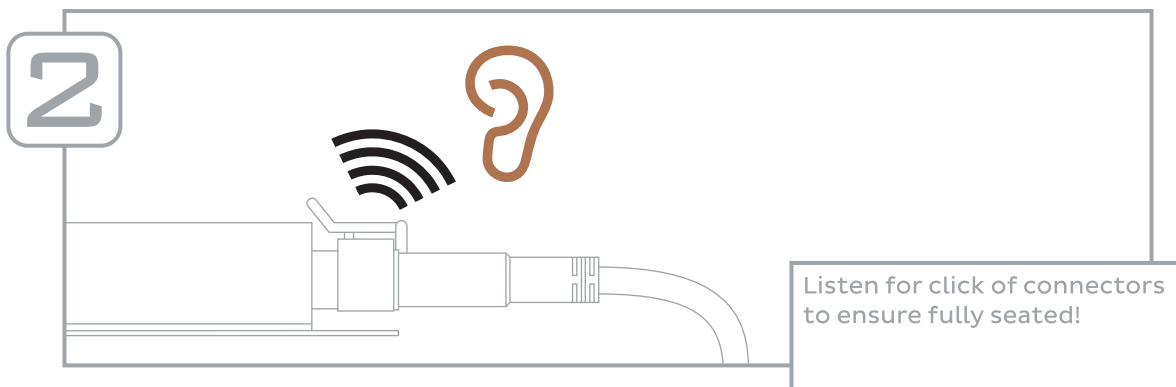
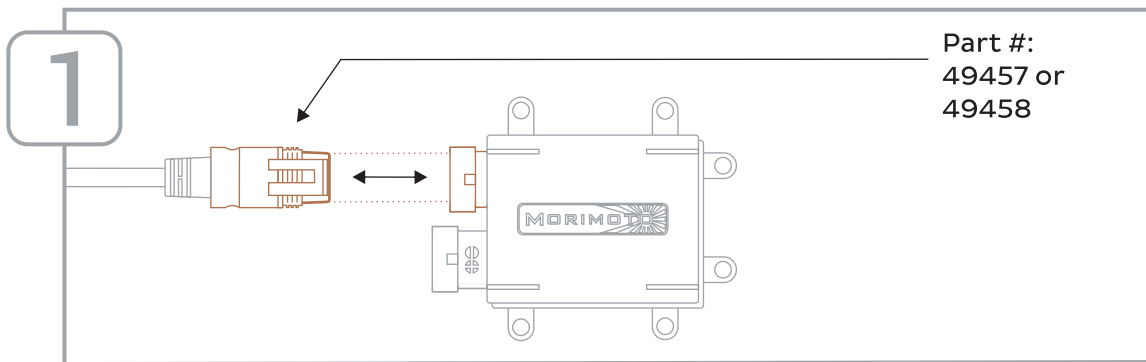


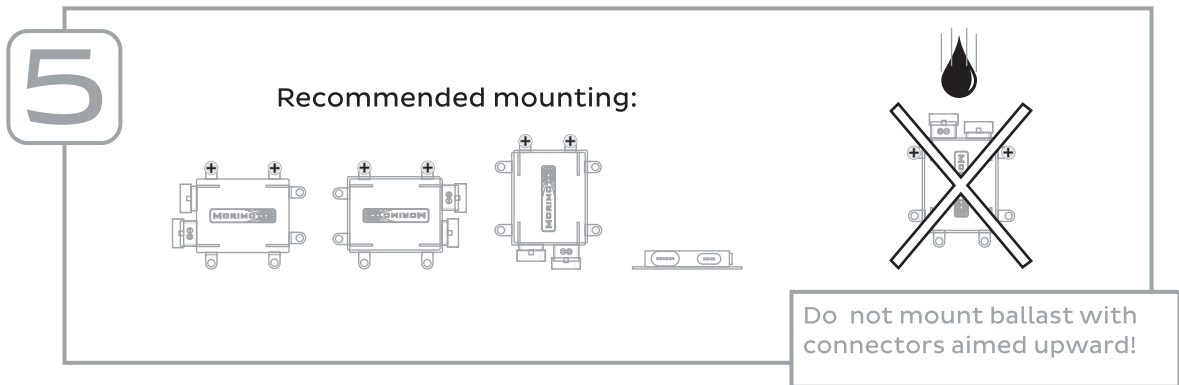
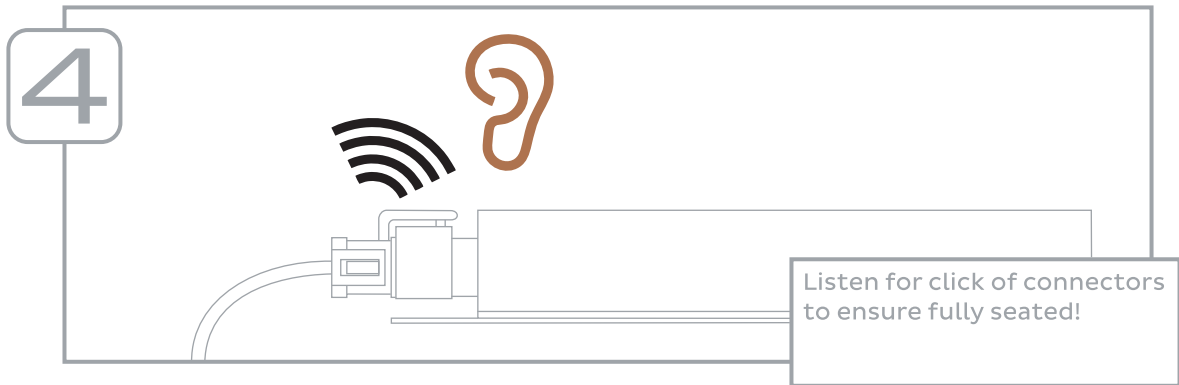
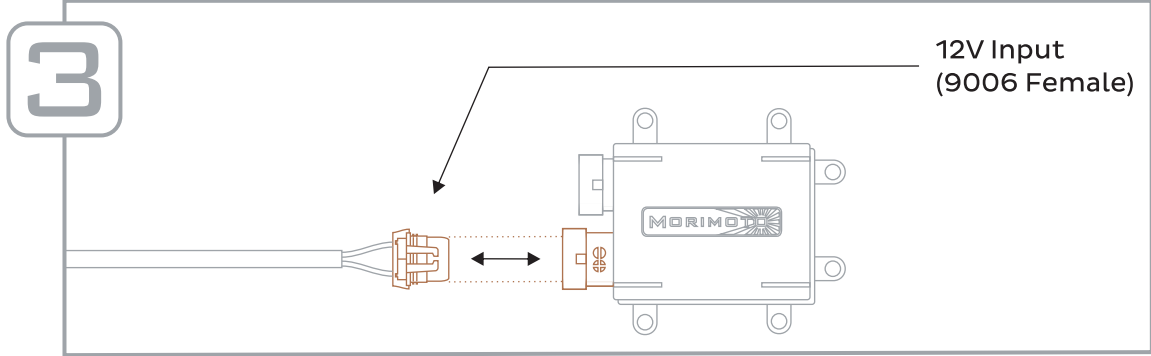
DO NOT IGNITE UNTIL
FULLY CONNECTED!



WATERPROOF

STEP BY STEP





-END-